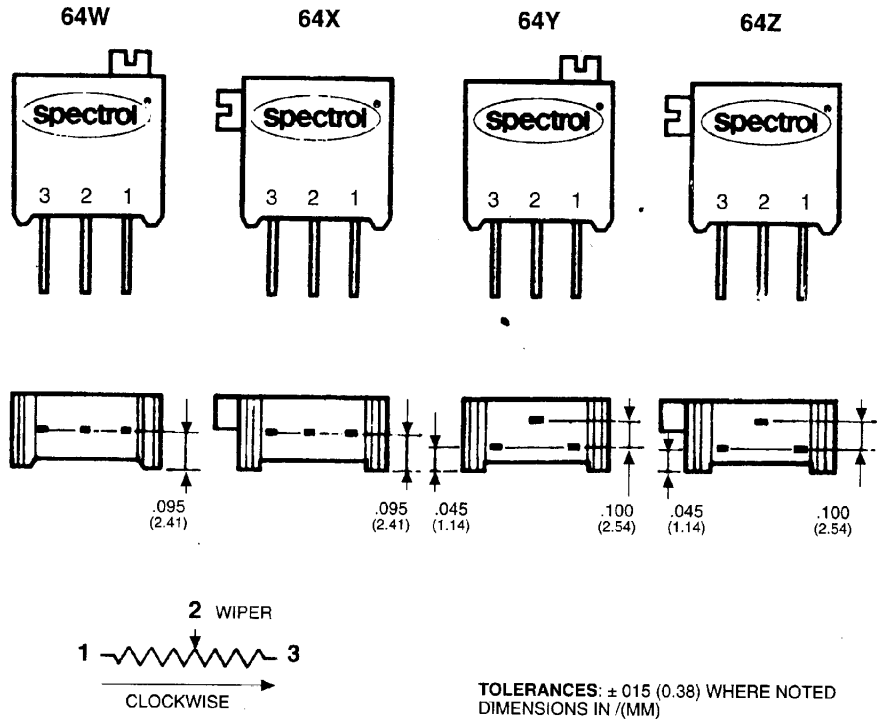
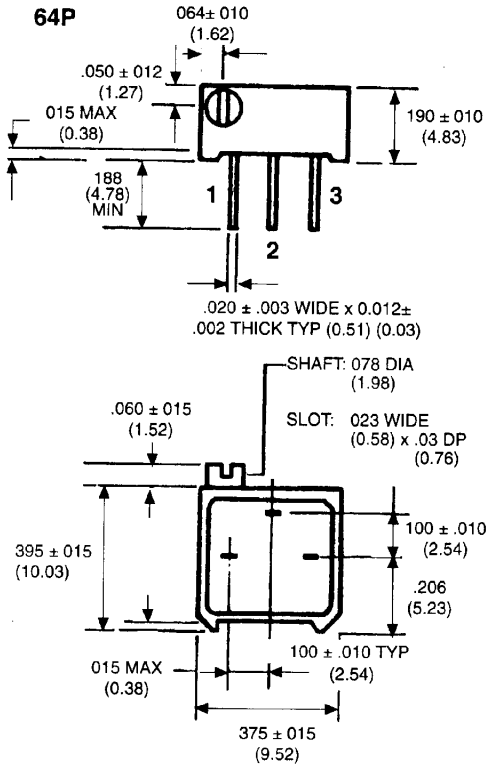
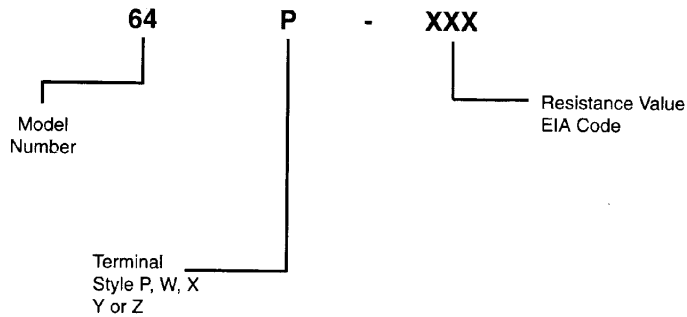


Dimensions



Ordering Information



ISO 9001



FM 26189



A Kearney-National Company

As a general policy Spectrol does not recommend the use of any of its products in life support applications where failure or malfunction of the Spectrol product can be reasonably expected to cause failure of the life support device or to significantly affect its safety or effectiveness.